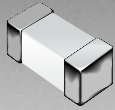


\*RoHS COMPLIANT



**BOURNS®**

**Features**

- 0402 size
- Available in E12 Series
- High frequency
- Nickel barrier
- Lead free

**Applications**

- Mobil phones
- Cellular phones
- CTV, VCR, HIC, FDD
- Automotive electronics

**CI100505 Series - Multi-Layer Chip Inductors**

**Electrical Specifications**

Bourns Part No.	Inductance		Q min. MHz			SRF MHz		DCR	I rms
	nH	Tol. %	100	800	1600	min.	typ.	ohm max.	mA max.
CI100505-1N0D	1.0	±0.3 nH	8	20	26	6000	13000	0.10	300
CI100505-1N2D	1.2	±0.3 nH	8	20	26	6000	10000	0.10	300
CI100505-1N5D	1.5	±0.3 nH	8	20	30	6000	10000	0.10	300
CI100505-1N8D	1.8	±0.3 nH	8	22	35	6000	9500	0.12	300
CI100505-2N2D	2.2	±0.3 nH	8	22	35	6000	9000	0.16	300
CI100505-2N7D	2.7	±0.3 nH	8	22	35	6000	9000	0.20	300
CI100505-3N3D	3.3	±0.3 nH	8	22	35	6000	8000	0.22	300
CI100505-3N9D	3.9	±0.3 nH	8	22	30	4000	6500	0.25	300
CI100505-4N7D	4.7	±0.3 nH	8	22	30	4000	5000	0.28	300
CI100505-5N6D	5.6	±0.3 nH	8	22	28	4000	5000	0.29	300
CI100505-6N8J	6.8	±5	8	22	28	3900	4400	0.35	300
CI100505-8N2J	8.2	±5	8	20	28	3600	4000	0.40	250
CI100505-10NJ	10	±5	8	20	24	3200	3500	0.45	250
CI100505-12NJ	12	±5	8	20	24	2700	3500	0.50	200
CI100505-15NJ	15	±5	8	20	20	2300	3000	0.55	200
CI100505-18NJ	18	±5	8	20	15	2100	2600	0.65	200
CI100505-22NJ	22	±5	8	20	13	1900	2200	0.80	200
CI100505-27NJ	27	±5	8	17	—	1600	1900	0.90	200
CI100505-33NJ	33	±5	8	16	—	1300	1700	1.10	200
CI100505-39NJ	39	±5	8	16	—	1200	1600	1.20	100
CI100505-47NJ	47	±5	8	10	—	1000	1300	1.30	100
CI100505-56NJ	56	±5	8	—	—	750	900	1.40	100
CI100505-68NJ	68	±5	8	—	—	700	800	1.40	100
CI100505-82NJ	82	±5	8	—	—	600	700	1.60	100
CI100505-R10J	100	±5	8	—	—	550	650	2.00	100

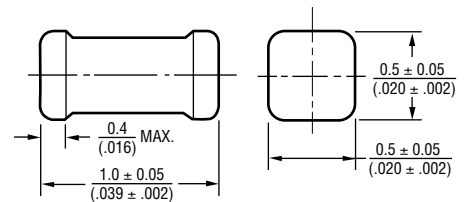
**General Specifications**

Temperature Rise .....20 °C max. at rated current  
 Operating Temperature ..-55 °C to +125 °C  
 Storage Temperature...-55 °C to +125 °C  
 Reflow Soldering ...230 °C, 50 sec. max.  
 Resistance to Soldering Heat .....260 °C, 10 seconds

**Materials**

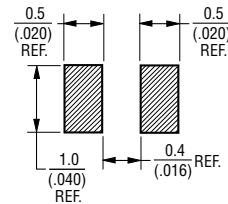
Base Material .....Ceramic  
 Terminal.....Ag/Ni/Sn  
 Packaging.....10,000 pcs. per reel

**Product Dimensions**

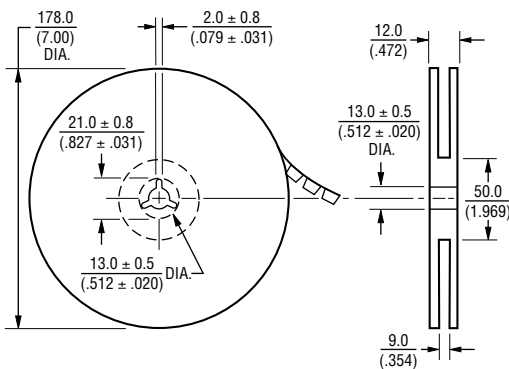


DIMENSIONS: MM  
(INCHES)

**Recommended Layout**



**Packaging Specifications**



\*RoHS Directive 2002/95/EC Jan 27 2003 including Annex  
 Specifications are subject to change without notice.  
 Customers should verify actual device performance in their specific applications.

# CI100505 Series - Multi-Layer Chip Inductors

**BOURNS®**

## Electrical Specifications

